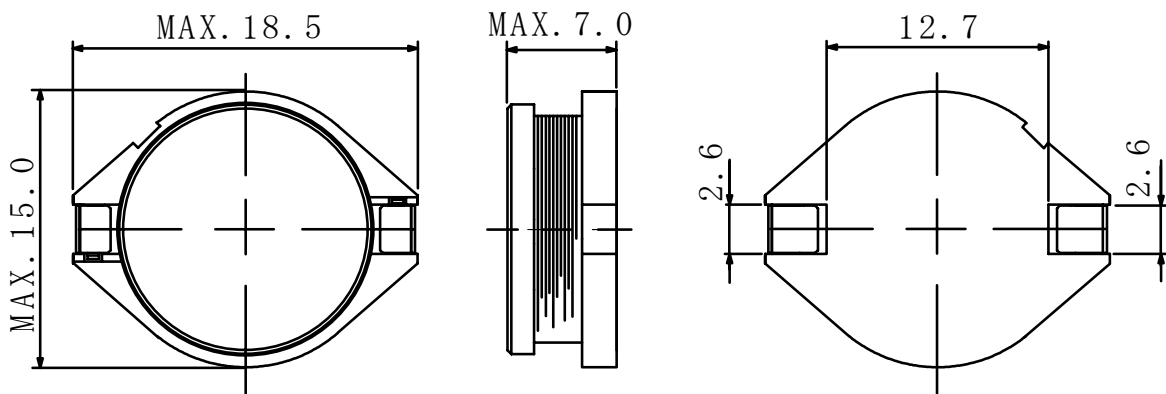
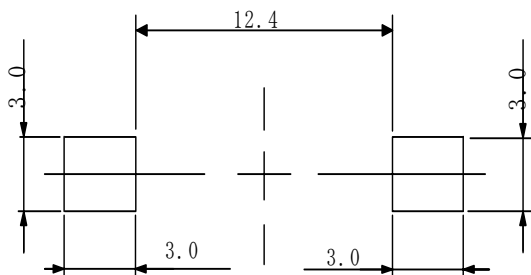


Type: CDR156
◆ Product Description

- 18.5×15mm Max.(L×W), 7.0mm Max. Height.
- Inductance Range: 1.0 μ H~1.0mH
- Rated current range: 0.48~10A
- In addition to the standards versions shown here, custom inductors are also available to meet your exact requirements.


◆ Feature

- Magnetically unshielded construction.
- Ideally used in Notebook PC ,LCD TV ,Game machine ,HDD,DSC/DVC, etc as DC-DC Converter inductors.
- RoHS Compliance.

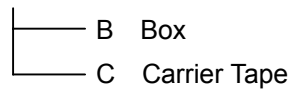
◆ Dimensions (mm)

◆ Land Pattern (mm)


Type: CDR156
◆ Specification

| Part Name ※ | Stamp | Inductance [Within] 100kHz | D.C.R.(mΩ) Max.(Typ.) (at 20°C) | Saturation Current (A) ※1 | Temperature rise current (A)※2 |
|----------------|-------|----------------------------------|---------------------------------------|---------------------------------|--------------------------------------|
| CDR156NP-1R0M□ | 1R0M | 1.0 μ H±20% | 5.3(4.2) | 28.0 | 10.0 |
| CDR156NP-2R5M□ | 2R5M | 2.5 μ H±20% | 8.1(6.5) | 18.4 | 9.0 |
| CDR156NP-3R3M□ | 3R3M | 3.3 μ H±20% | 9.8(7.8) | 16.4 | 7.5 |
| CDR156NP-5R6M□ | 5R6M | 5.6 μ H±20% | 13.5(10.8) | 12.8 | 7.0 |
| CDR156NP-6R8M□ | 6R8M | 6.8 μ H±20% | 17.5(14.0) | 11.2 | 6.0 |
| CDR156NP-100L□ | 100L | 10 μ H±15% | 25.0(20.0) | 9.6 | 5.5 |
| CDR156NP-150L□ | 150L | 15 μ H±15% | 34.5(27.6) | 7.6 | 4.3 |
| CDR156NP-220L□ | 220L | 22 μ H±15% | 43.5(34.8) | 6.4 | 4.0 |
| CDR156NP-330L□ | 330L | 33 μ H±15% | 68.0(54.4) | 5.2 | 3.0 |
| CDR156NP-470L□ | 470L | 47 μ H±15% | 97.8(78.2) | 4.2 | 2.5 |
| CDR156NP-680L□ | 680L | 68 μ H±15% | 144.6(115.7) | 3.6 | 2.0 |
| CDR156NP-101L□ | 101L | 100 μ H±15% | 220.0(176.0) | 2.9 | 1.6 |
| CDR156NP-151L□ | 151L | 150 μ H±15% | 315.2(252.2) | 2.5 | 1.3 |
| CDR156NP-221L□ | 221L | 220 μ H±15% | 466.3(373.0) | 2.0 | 1.1 |
| CDR156NP-331L□ | 331L | 330 μ H±15% | 646.0(516.8) | 1.6 | 0.9 |
| CDR156NP-471L□ | 471L | 470 μ H±15% | 933.3(746.6) | 1.4 | 0.75 |
| CDR156NP-681L□ | 681L | 680 μ H±15% | 1670(1340) | 1.1 | 0.55 |
| CDR156NP-102L□ | 102L | 1.0mH±15% | 2100(1750) | 0.9 | 0.48 |

※ Description of part name

CDR156NP-1R0M□


 ※1.Saturation current: The DC current at which the inductance decreases to 90% of it's initial value.
(Ta=20°C)

※2. Temperature rise current: The DC current at which the temperature rise is Δt=40°C.(Ta=20°C)